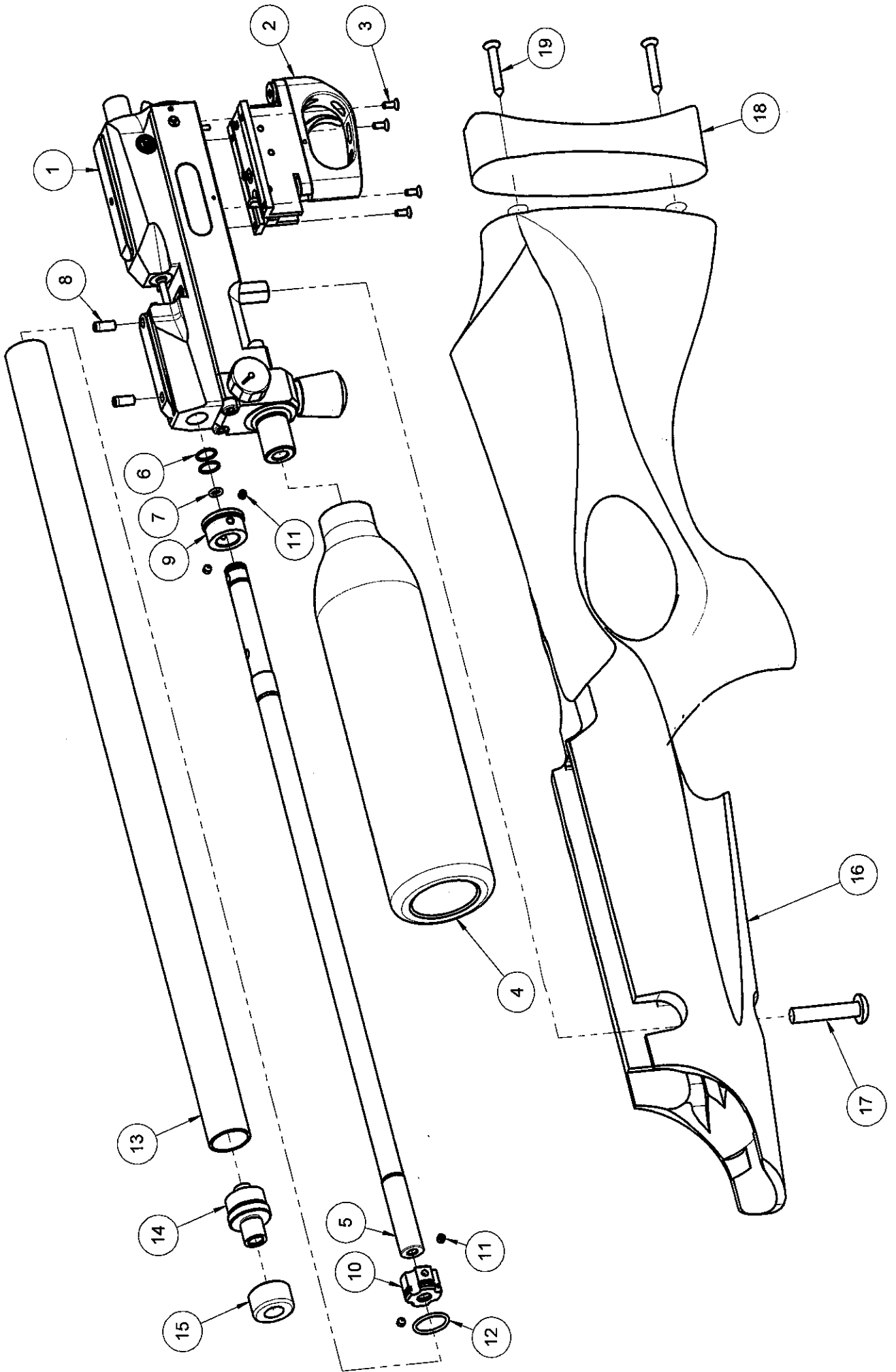


# WOLVERINE BOTTLE GENERAL ASSEMBLY

Daystate



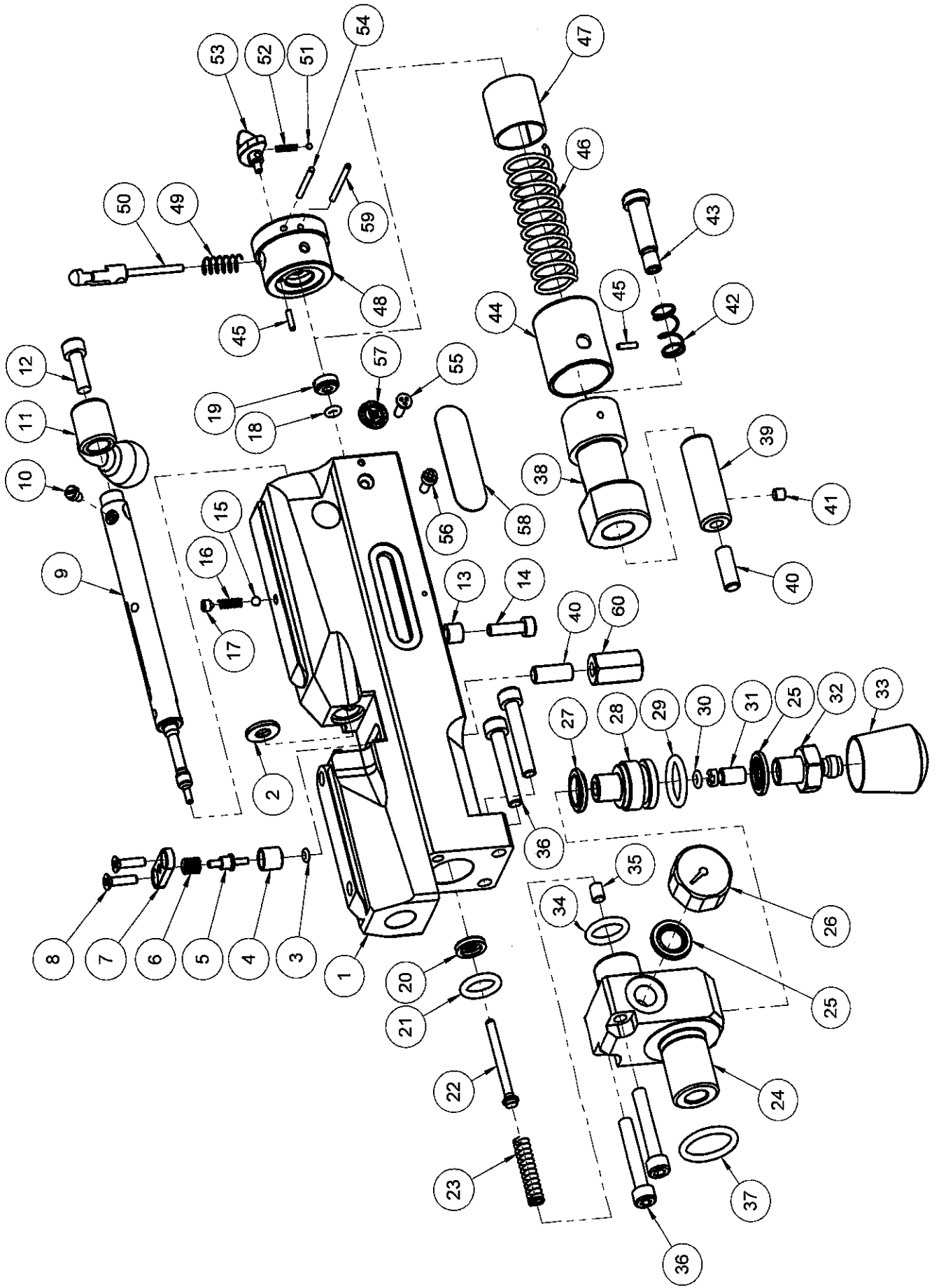
# WOLVERINE BOTTLE GENERAL ASSEMBLY TABLE

Daystate

num.	part name	code	Q.ty
1	integral breech sub assembly	see assy detail	1
2	trigger sub assembly	see assy detail	1
3	skt csk M3x8	D3CSKT3X08CO	4
4	bottle 400cc	D3BOTTLE400	1
5	barrel 17" cal.0.177"	D3WWBAR1717	1
6	barrel 17" cal.0.22"	D3WWBAR2217	2
7	o-ring Ø10x1	D3OR10X10CO	1
8	o-ring Ø5x1,5 ( cal.0.177 )	D3OR05X15CO	1
9	o-ring Ø4x1,5 ( cal.0.22 )	D3OR04X15CO	2
10	skt set M5x12 UNI5923	D3SKTM512CO	1
11	ism fix cap	D3WWISMFILP	1
12	ism centering cap	D3WWISCECLP	1
13	skt set M4x4 tip UNI5927	D3SKTM4X4CO	4
14	o-ring 017	D3ORN017OCO	1
15	ism tube Ø24	D3WISMODLP0	1
16	ism end cap adaptor	D3WWISCAHP	1
17	knurled end cover	D3WWISKNEHP	1
18	stock	D3WW12STO00	1
19	screw ISO 7380-M8x40	D3SC8X40CO0	1
	buft pad	D3PADBLCUXXX	1
	buft pad screw	D3SCRPAD5X35	2

# 1 - BREECH BLOCK SUB ASSEMBLY TABLE

Daystate

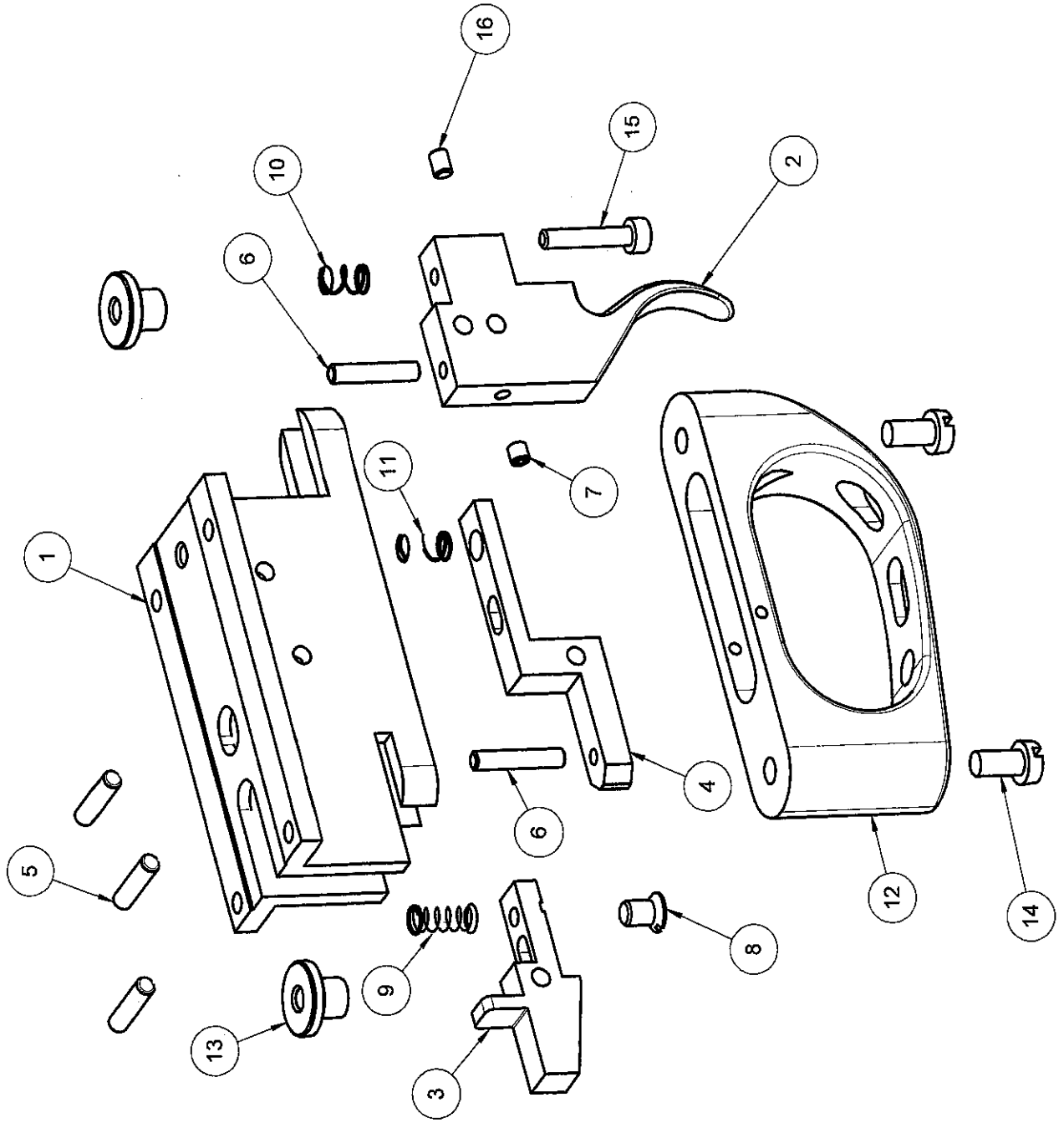


# 1 - BREECH BLOCK SUB ASSEMBLY TABLE

num.	part name	code	Q.ty	37	o-ring N70 617	D3OR70617MV	1
1	integral breech block cal 0.177"	D3WWBKLP17	1	38	striker hammer anti bounce	D3STRHAMW12	1
	integral breech block cal 0.22"	D3WWBKLP22			striker hammer anti bounce FAC	D3STRHAMWFA	
2	alum breech insert cal 0.177"	D3WWALINS17	1	39	striker hammer insert	D3HAMMINSSH	1
	alum breech insert cal 0.22"	D3WWALINS22			striker hammer insert FAC	D3HAMMINFAC	
3	o-ring Ø2x1.5 NBR 70Sh	D3OR20X15CO	1	40	skt set flat M6 X 16	D3SETM6X16X	2
4	pin act o-ring retainer	D3WWPINORT	1	41	skt set M4x4	D3SKTM4X4CO	1
5	pin activator	D3WWPINACT10	1	42	striker hammer insert spring	D3SPRL626XX	1
6	pin activator spring	D3WWSPRACHP	1	43	hammer spring guide brass	D3SPRGUIDCO	1
7	pin activator plug	D3WWPINPLUG	1	44	SS striker hammer sleeve (long)	D3HAMSLSHRSH	1
8	skt csk M3x12	D3CSKT3X12CO	2	45	dowel Ø2x8	D3DOW2H8X08	2
9	breech bolt cal 0.177"	D3WWBRBOL17	1	46	striker hammer spring	D3STSPR1260	1
	breech bolt cal 0.22"	D3WWBRBOL22			spring noise reduce	D3NOISL012	
10	custom Screw M3x5	D3WWSELET00	1	48	rear cover	D3VWREARCO0	1
11	breech bolt handle	D3WWHANCGRAM	1	49	safety pin spring	D3VWSPRPIHP	1
12	skt cap M5x15	D3SKTCM5X15	1	50	safety pin	D3VWWSAFPINO	1
13	breech bolt pin spacer	D3WWBRBOPS	1	51	ball bearing Ø2.0	D3BAL0200SC	1
14	skt cap M4x14 inox	D3SKTCM4X14	1	52	safety BB spring	D3VWWSPRBUHP	1
15	ball bearing Ø1/8"	D3BAL1800SC	1	53	safety button	D3VWWSAFBU00	1
16	BB bolt spring	D3VWWSPRBOHP	1	54	dowel Ø2.0 x 20	D3DOW2H8X20	1
17	skt set M4x4 tip	D3SKTM4X4CO	1	55	anti tamper screw TS M3x10	D3VWWTM3X10	2
18	o-ring N70 006	D3ORI006N70	1	56	skt cap M3x8	D3SKTCM38CO	1
19	striker valve o-ring retainer	D3STRVORRCO	1	57	WP disc	D3VWVSTICKER	1
	valve seal 1	D3HARSEAL12			breech block lateral cover	D3VWVSTICKER	
20	valve seal 2	D3HARSEAR12	1	59	dowel Ø2.0x25	D3DOW2X25VWV	1
	valve seal 3	D3HARSEALFA			exagon retaining nut HU (metric)	D3EXARENUT1	
21	o-ring U90 111	D3ORN9111CO	1				
22	striker valve stem	D3STEMHARPTI	1				
23	stem spring	D3SPR3513CO	1				
24	housing B - LP - bottle	D3VWVHBBT000	1				
25	dowty Seal 1/8" sel centering	D3DOWSE18CO	2				
26	pressure gauge	D3MINGUAUCO	1				
27	dowty seal 1/8" normal (no self cent )	D3DOSE18NCO	1				
28	male connector extension	D3VWVMACOEX0	1				
29	o-ring N70 113 - 90Sh	D3OR11300CO	1				
30	o-ring U90 006	D3ORURAO6FV	1				
31	stainless steel piston	D3PISTON00FV	1				
32	male connector	D3MALECONCO	1				
33	dust cover AR-AW	D3DUSTCARAW	1				
34	o-ring N70 112	D3OR11200CO	1				
35	skt set M5x6	D3SKTM5X6CO	1				
36	skt cap M5x30	D3SKTCM5X30	4				

# 2 - TRIGGER BLOCK SUB ASSEMBLY

Daystate



## 2 - TRIGGER BLOCK SUB ASSEMBLY TABLE

Daystate

num.	part name	code	Q.ty
1	trigger block	D3WWTRIBLOCK	1
2	trigger blade	D3WWBLADEME	1
3	trigger sear	D3TSEAMECXX	1
4	trigger lever	D3TLEVMECXX	1
5	dowel Ø1/8"x1/2"	D3DOW1812CO	3
6	skt set M3x14	D3SKTM314CO	2
7	skt set M3 x 3 Flat	D3SKTM3X3CO	1
8	skt set M3x8	D3CKM3XM8CO	1
9	slt csk 4BAX1/4"	D3CK4BA14CO	1
10	spring LC014B 4MW	D3SPRI184CO	1
11	spring LC014B 2MW	D3SPRI144CO	1
12	spring LC018B 2MW	D3TBLAMECXX	1
13	trigger guard	D3WWTRIGUA0	1
14	trigger guard fixing collar	D3WWFIXCOL0	2
15	slt head M4x8	D3CHEM408CO	2
16	skt cap M3x16	D3SKTM316CO	1